

NOTE: ONLY BASE LAYER OF GWB SHOWN FOR CLARITY. REFER TO A-601 FOR PARTITION TYPES.

DRAWING TITLE

Two-Way Joints (Horizontal)

DATE

11/17/2025

PROJECT NO.

-

SCALE

N.T.S.

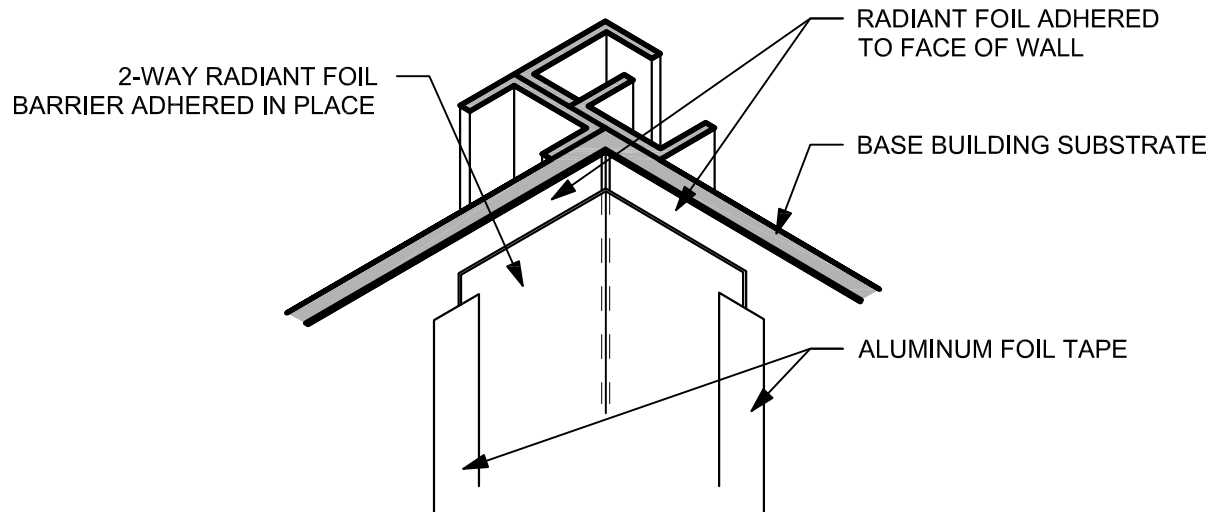
SKETCH NO.

SK-001

PAGE

1

OF 16



NOTE: ONLY BASE LAYER OF GWB SHOWN FOR CLARITY. REFER TO A-601 FOR PARTITION TYPES.

DRAWING TITLE

Two-Way Joints (Vertical)

DATE

11/17/2025

PROJECT NO.

-

SCALE

N.T.S.

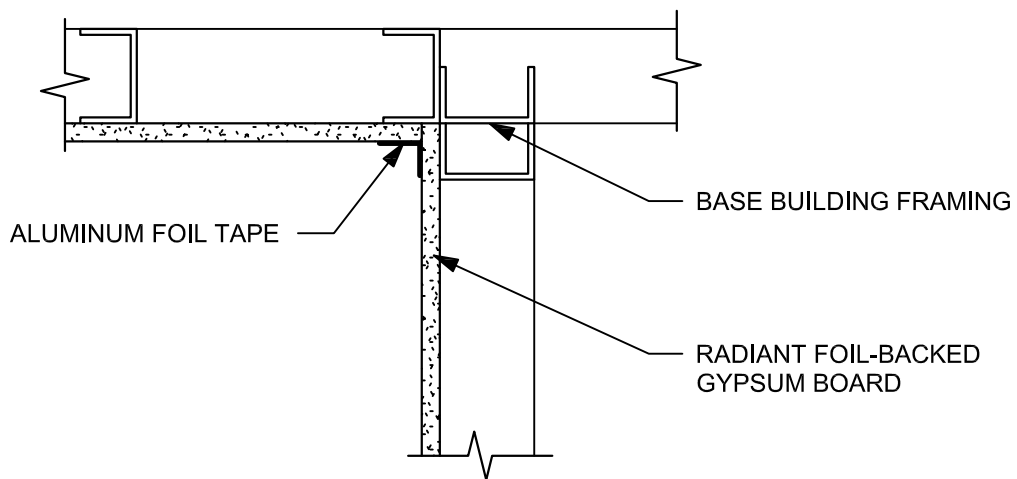
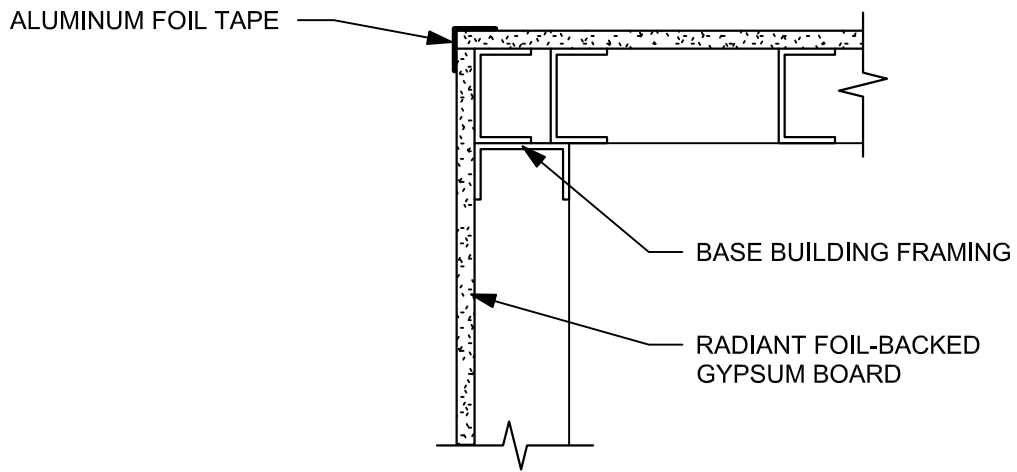
SKETCH NO.

SK-002

PAGE

2

OF 16



NOTE: ONLY BASE LAYER OF GWB SHOWN FOR CLARITY. REFER TO A-601 FOR PARTITION TYPES.

DRAWING TITLE

Inside and Outside Corner Conditions

DATE

11/17/2025

PROJECT NO.

-

SCALE

N.T.S.

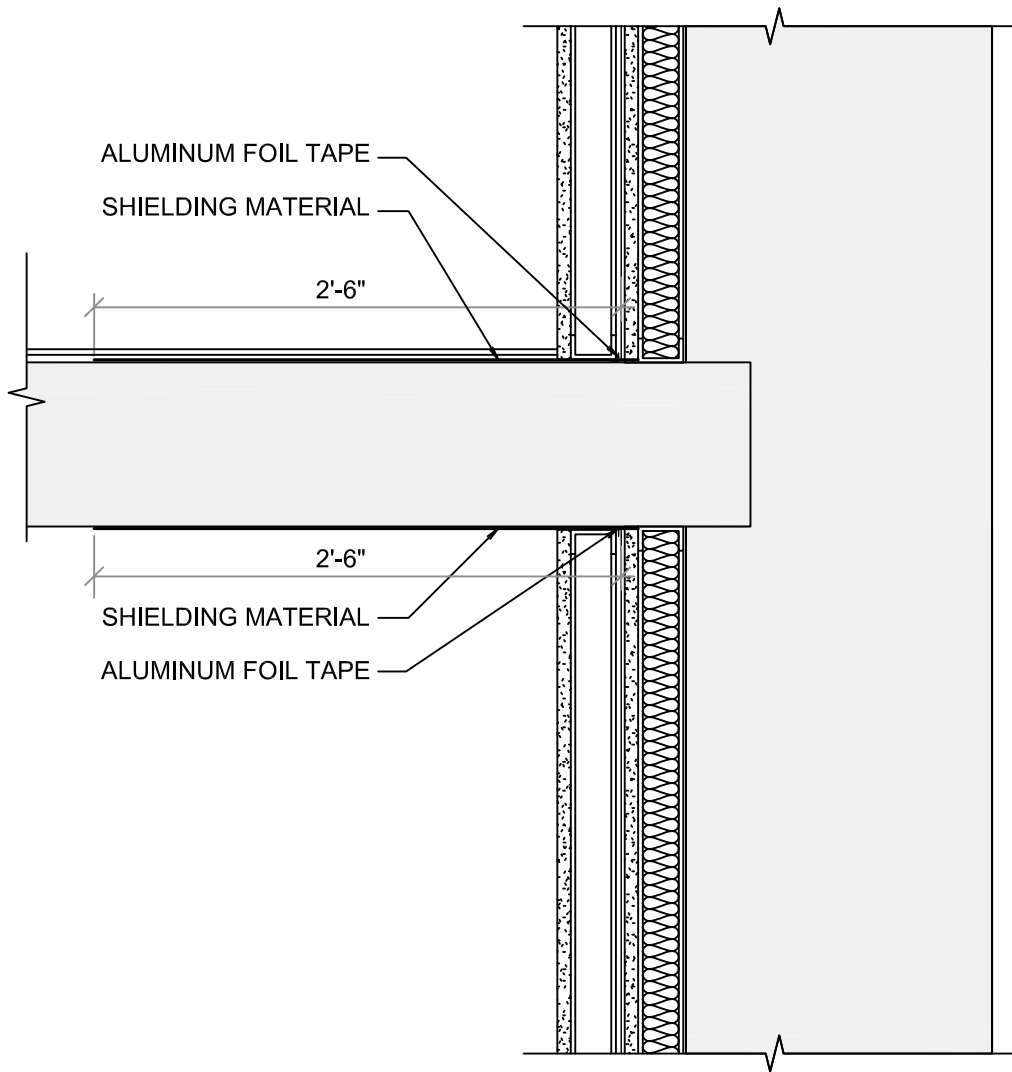
SKETCH NO.

SK-003

PAGE

3

OF 16



DRAWING TITLE

Wall and Floor Systems above Grade

DATE

11/17/2025

PROJECT NO.

-

SCALE

N.T.S.

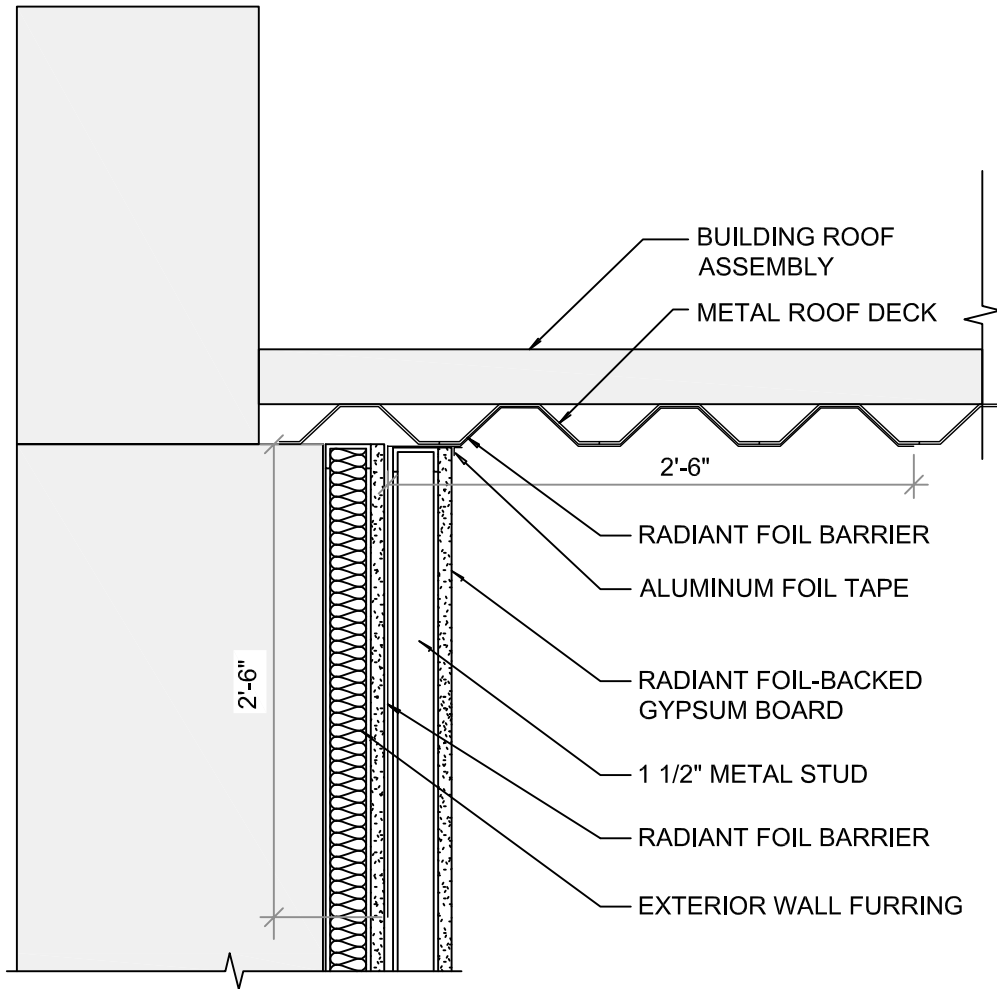
SKETCH NO.

SK-004

PAGE

4

OF 16



DRAWING TITLE

Wall and Metal Roof Decking

DATE

11/17/2025

PROJECT NO.

-

SCALE

N.T.S.

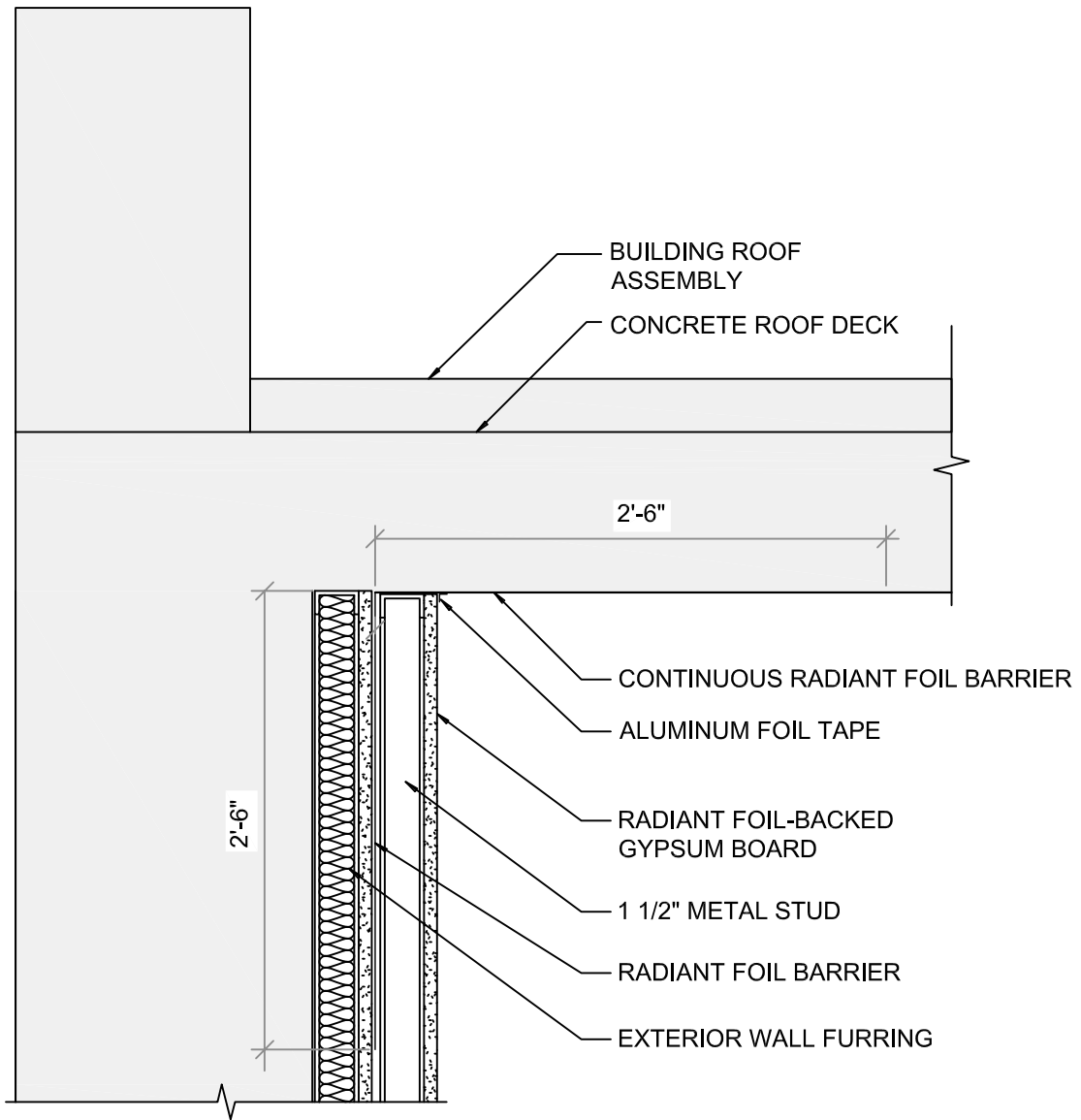
SKETCH NO.

SK-005

PAGE

5

OF 16



DRAWING TITLE

Wall and Concrete Roof Decking

DATE

11/17/2025

PROJECT NO.

-

SCALE

N.T.S.

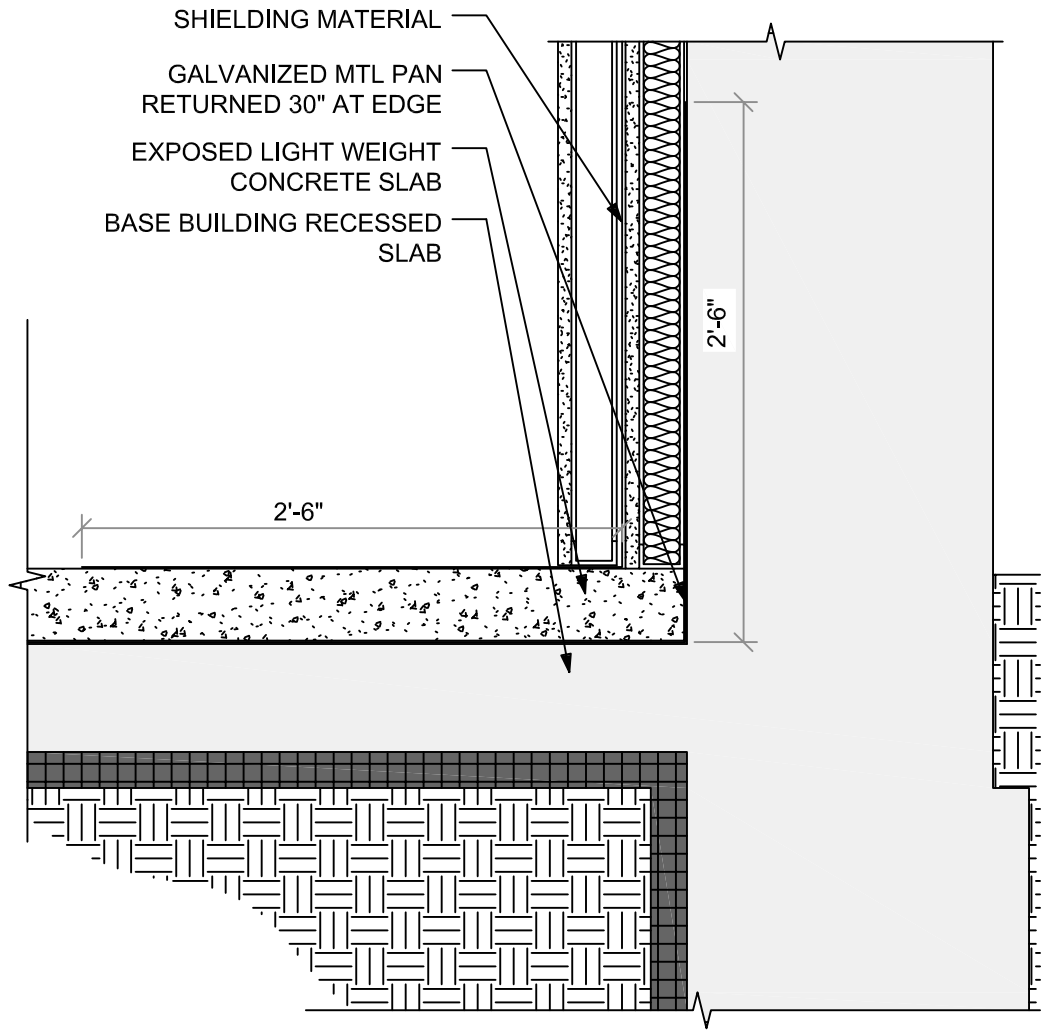
SKETCH NO.

SK-006

PAGE

6

OF 16



SHIELDING MATERIAL
 GALVANIZED MTL PAN
 RETURNED 30" AT EDGE
 EXPOSED LIGHT WEIGHT
 CONCRETE SLAB
 BASE BUILDING RECESSED
 SLAB

2'-6"

2'-6"

DRAWING TITLE

Exposed Concrete Floor

DATE

11/17/2025

PROJECT NO.

-

SCALE

N.T.S.

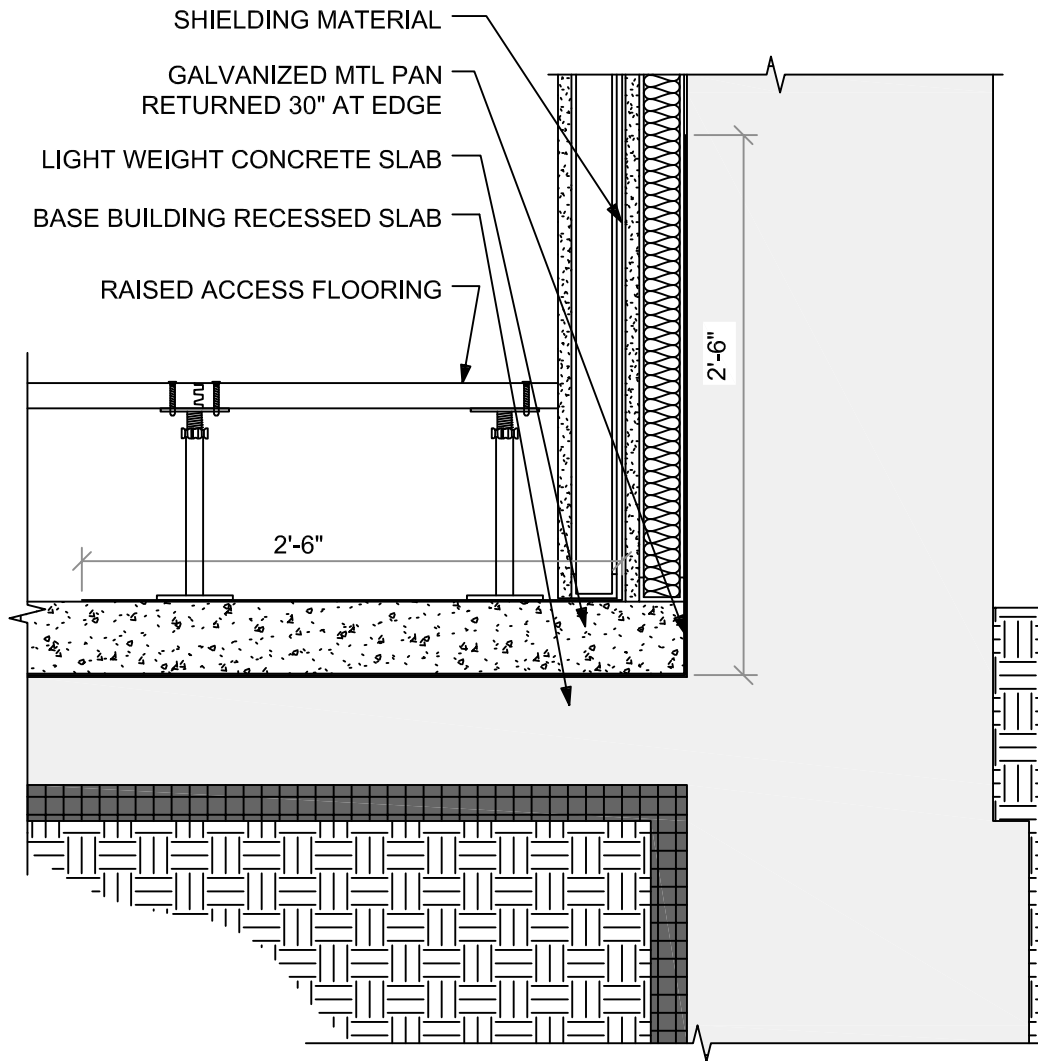
SKETCH NO.

SK-007

PAGE

7

OF 16



DRAWING TITLE

Raised Access Floor

DATE

11/17/2025

PROJECT NO.

-

SCALE

N.T.S.

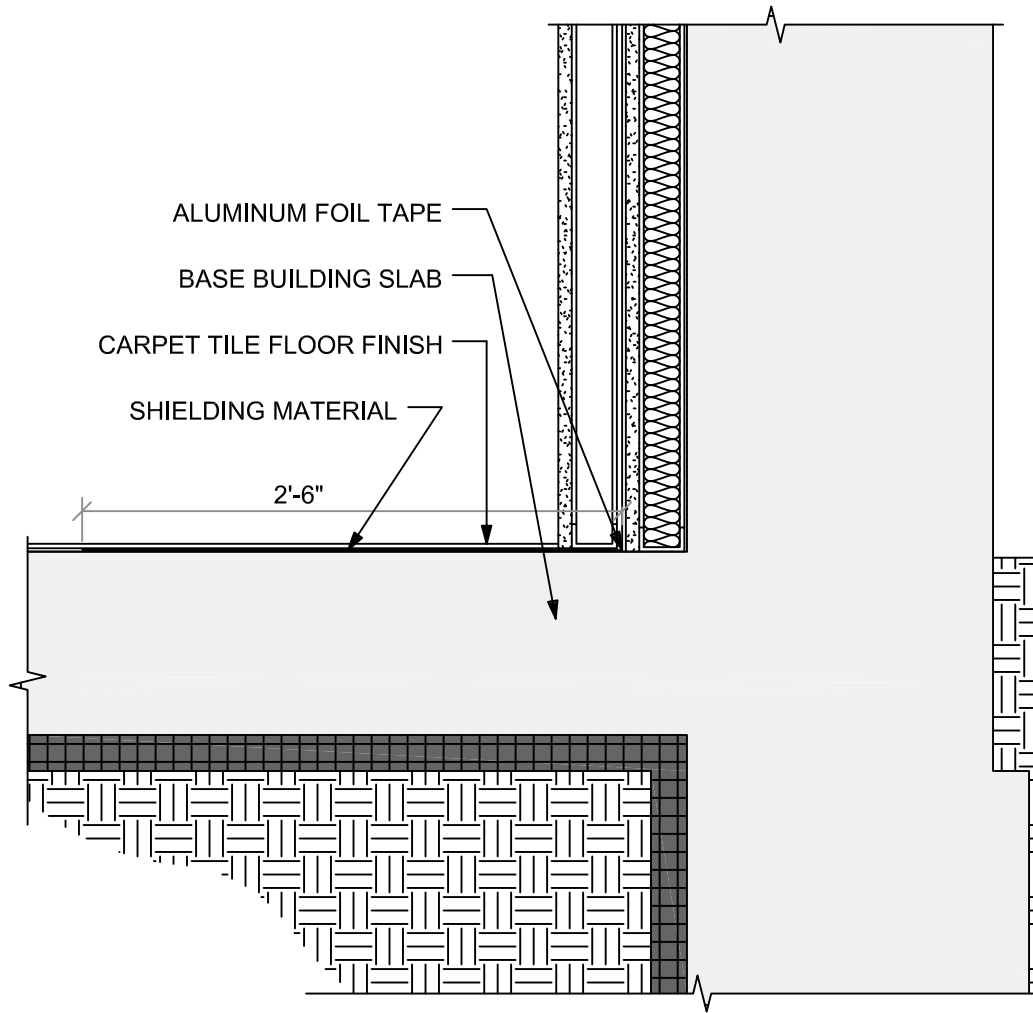
SKETCH NO.

SK-008

PAGE

8

OF 16



ALUMINUM FOIL TAPE
 BASE BUILDING SLAB
 CARPET TILE FLOOR FINISH
 SHIELDING MATERIAL

2'-6"

DRAWING TITLE

Carpet Flooring

DATE

11/17/2025

PROJECT NO.

-

SCALE

N.T.S.

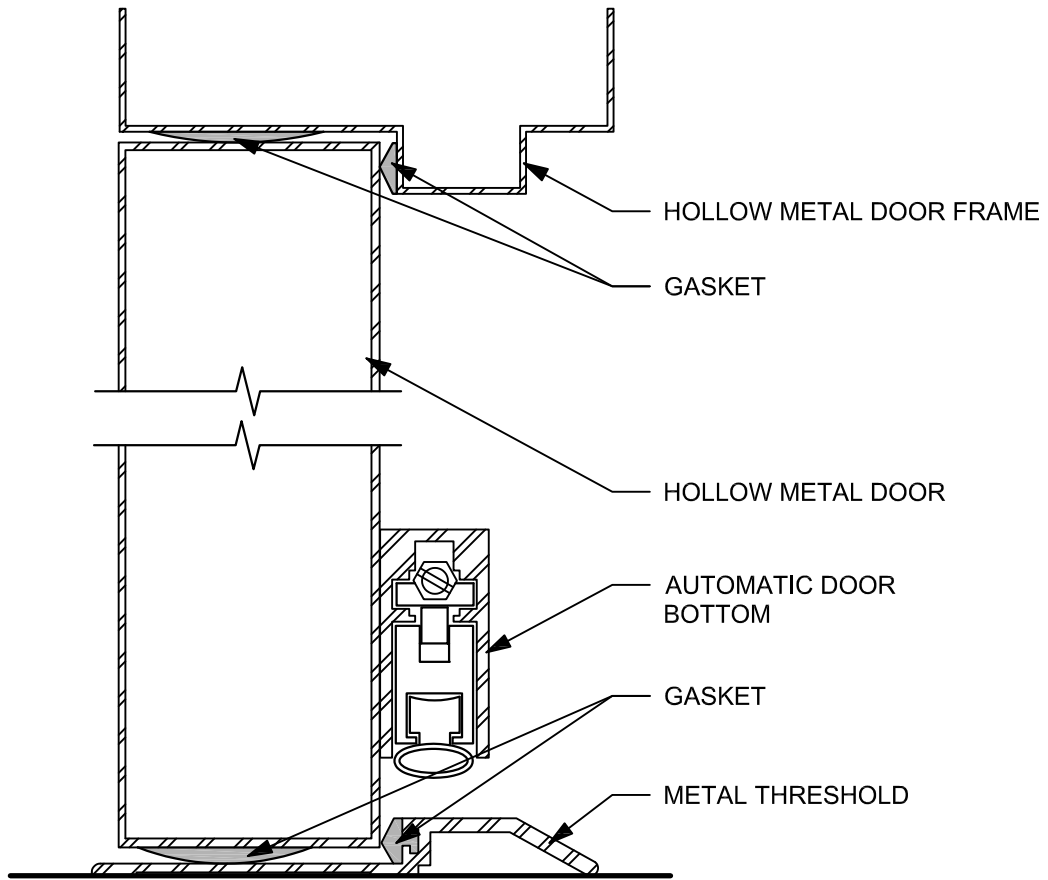
SKETCH NO.

SK-009

PAGE

9

OF 16



DRAWING TITLE

Door Head, Jamb and Sill

DATE

11/17/2025

PROJECT NO.

-

SCALE

N.T.S.

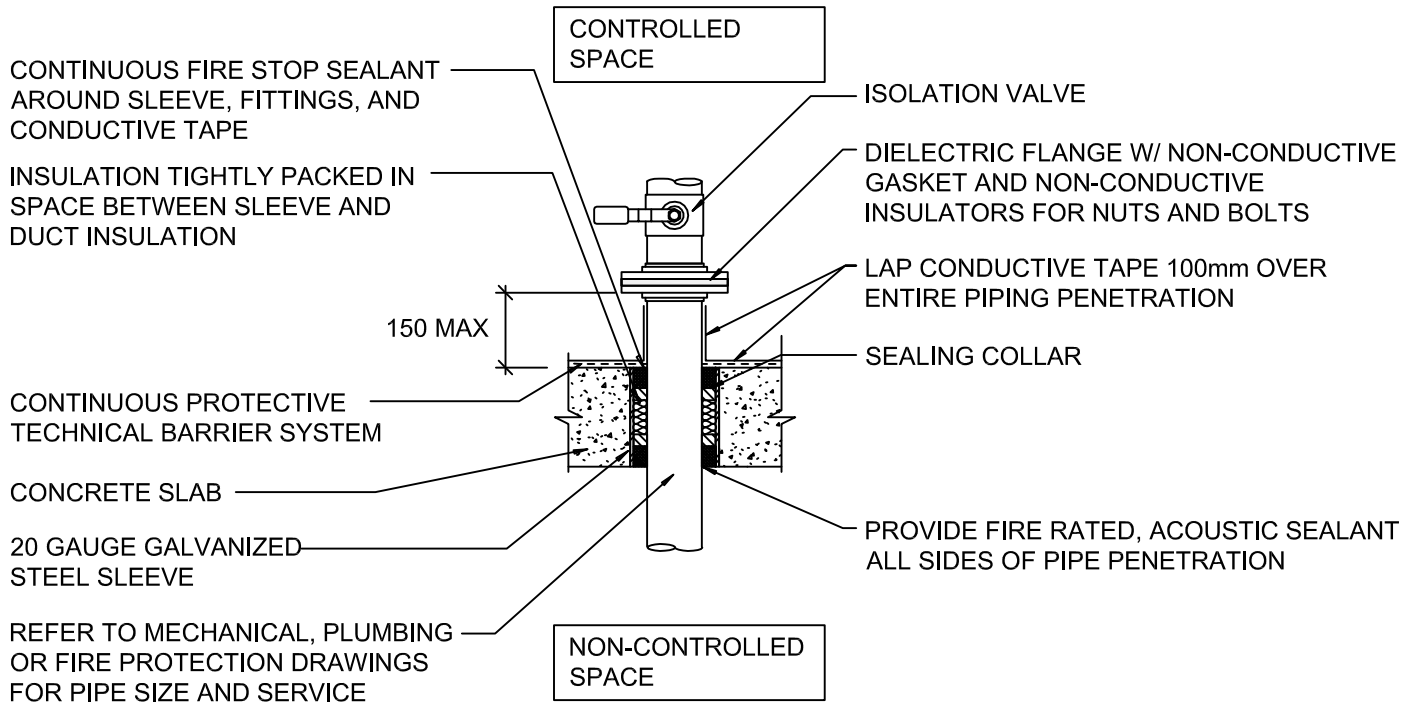
SKETCH NO.

SK-010

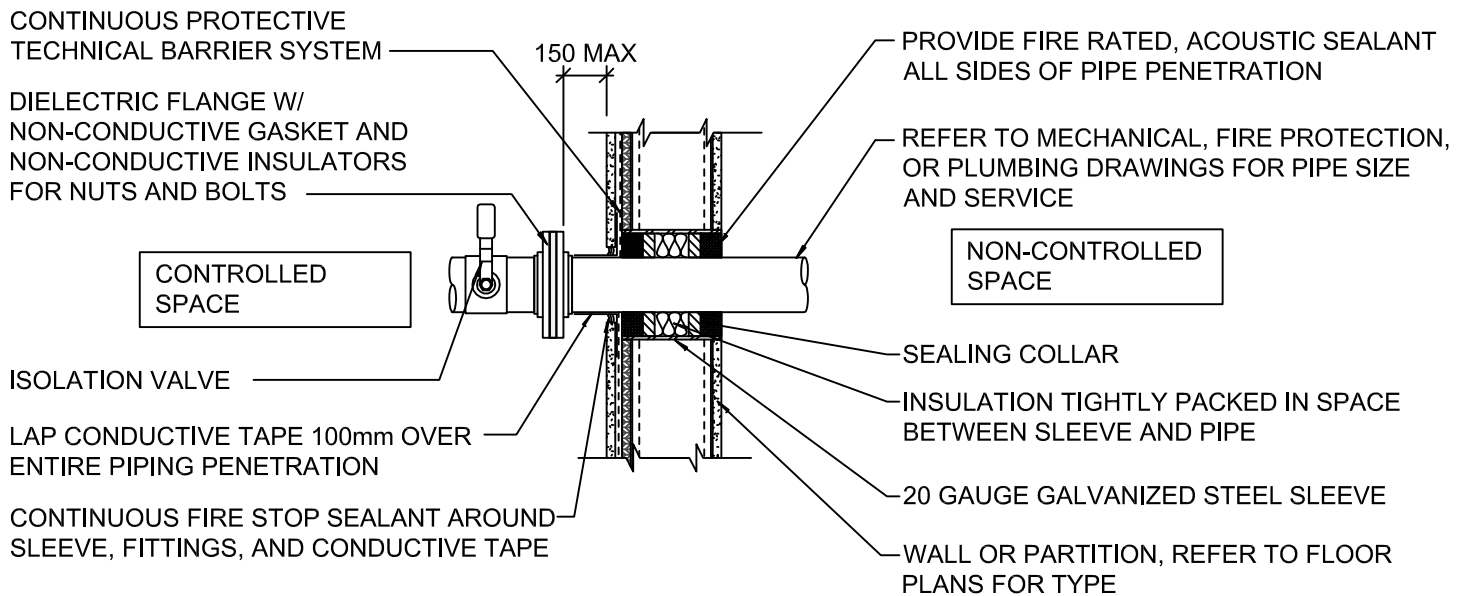
PAGE

10

OF 16



PTB VERTICAL PRESSURIZED PIPE PENETRATION



PTB HORIZONTAL PRESSURIZED PIPE PENETRATION

DRAWING TITLE

Pressurized Pipe Penetration

DATE

11/17/2025

PROJECT NO.

-

SCALE

N.T.S.

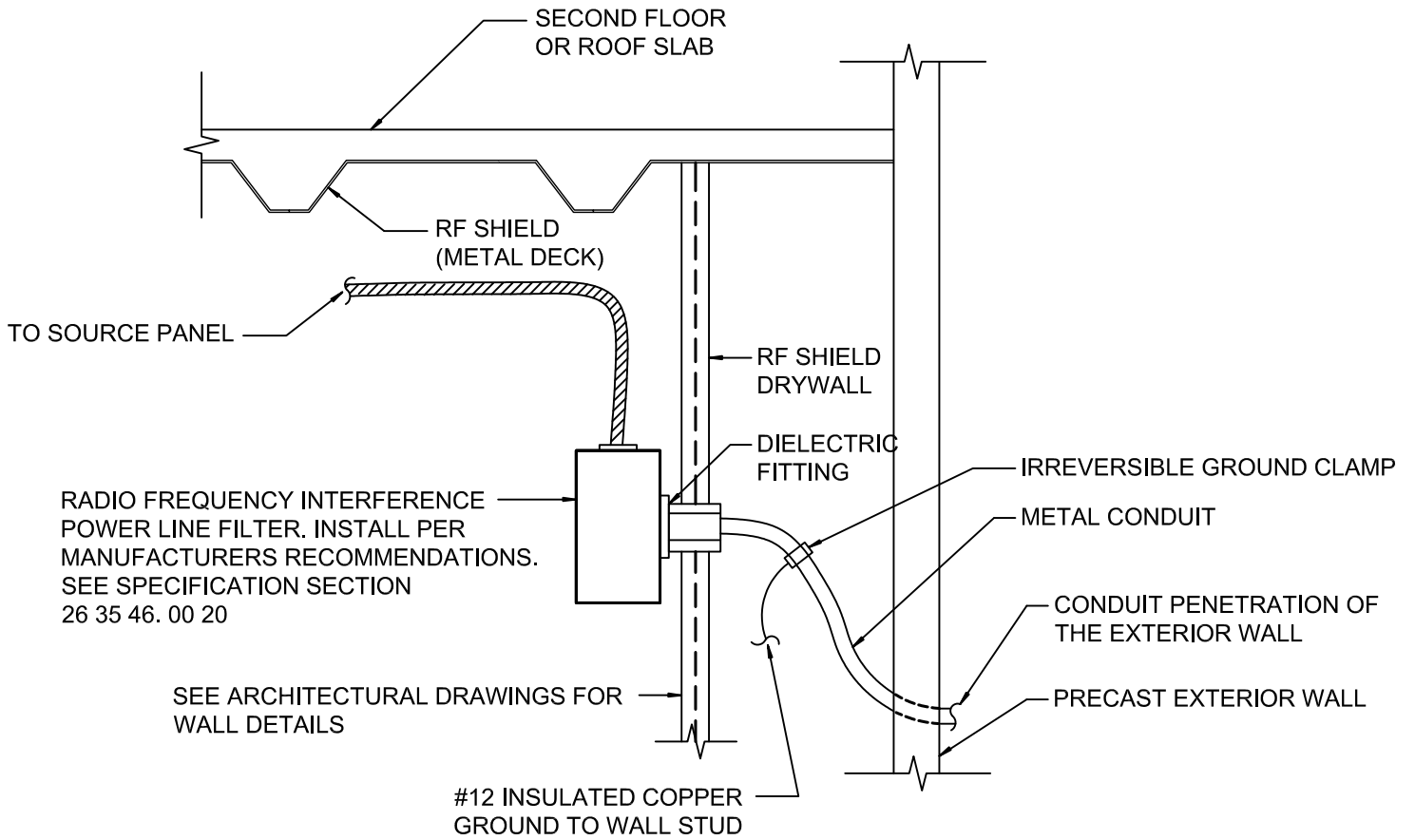
SKETCH NO.

SK-011

PAGE

11

OF 16



DRAWING TITLE

Conduit Penetration

DATE

11/17/2025

PROJECT NO.

-

SCALE

N.T.S.

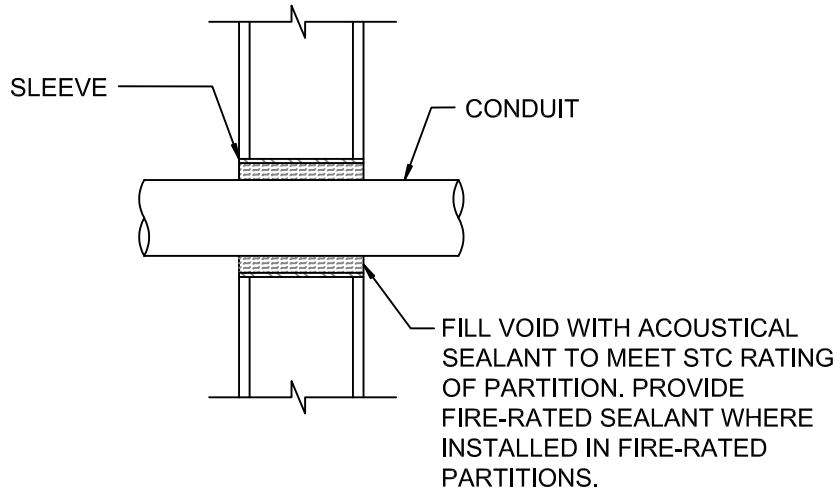
SKETCH NO.

SK-012

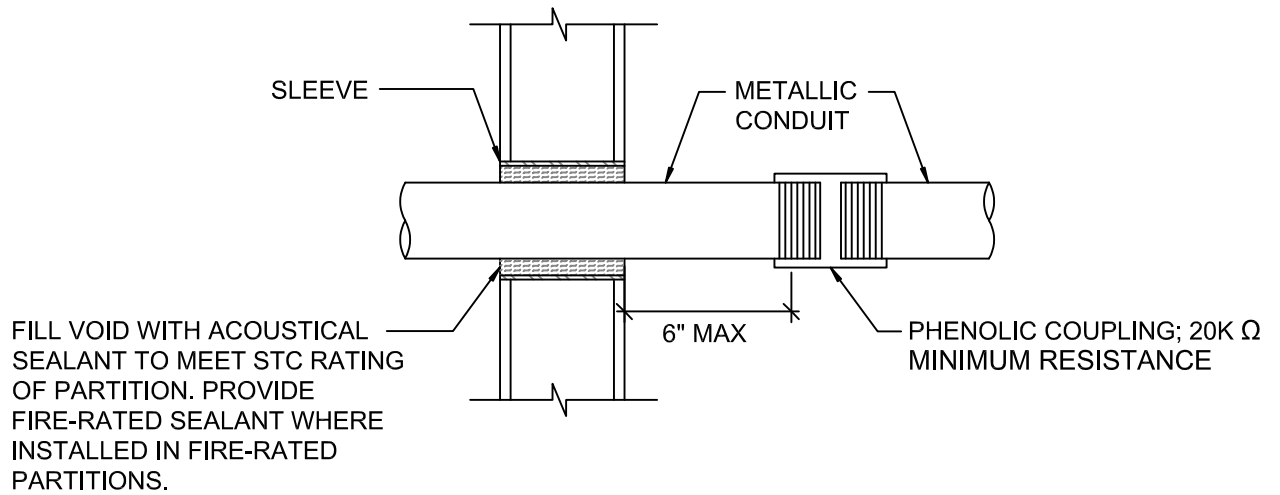
PAGE

12

OF 16



NON-METALLIC CONDUIT PENETRATION



METALLIC CONDUIT PENETRATION

DRAWING TITLE

Metallic Conduit and Non-metallic Conduit

DATE

11/17/2025

PROJECT NO.

-

SCALE

N.T.S.

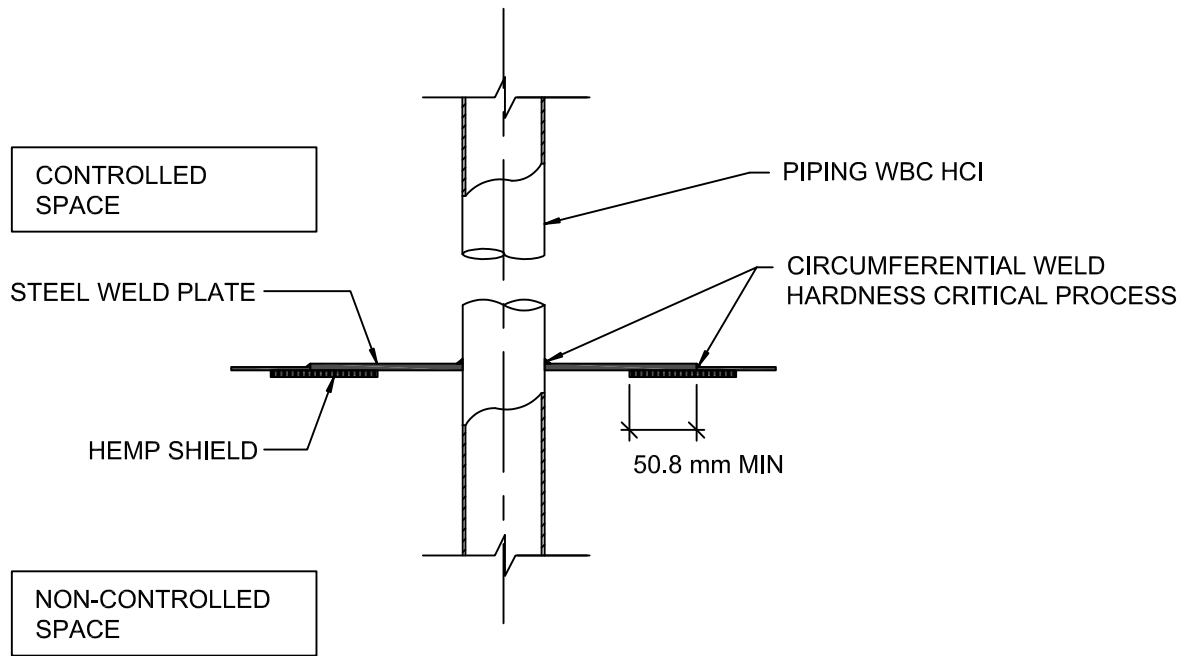
SKETCH NO.

SK-013

PAGE

13

OF 16



DRAWING TITLE

Sprinkler Pipe Penetration

DATE

11/17/2025

PROJECT NO.

-

SCALE

N.T.S.

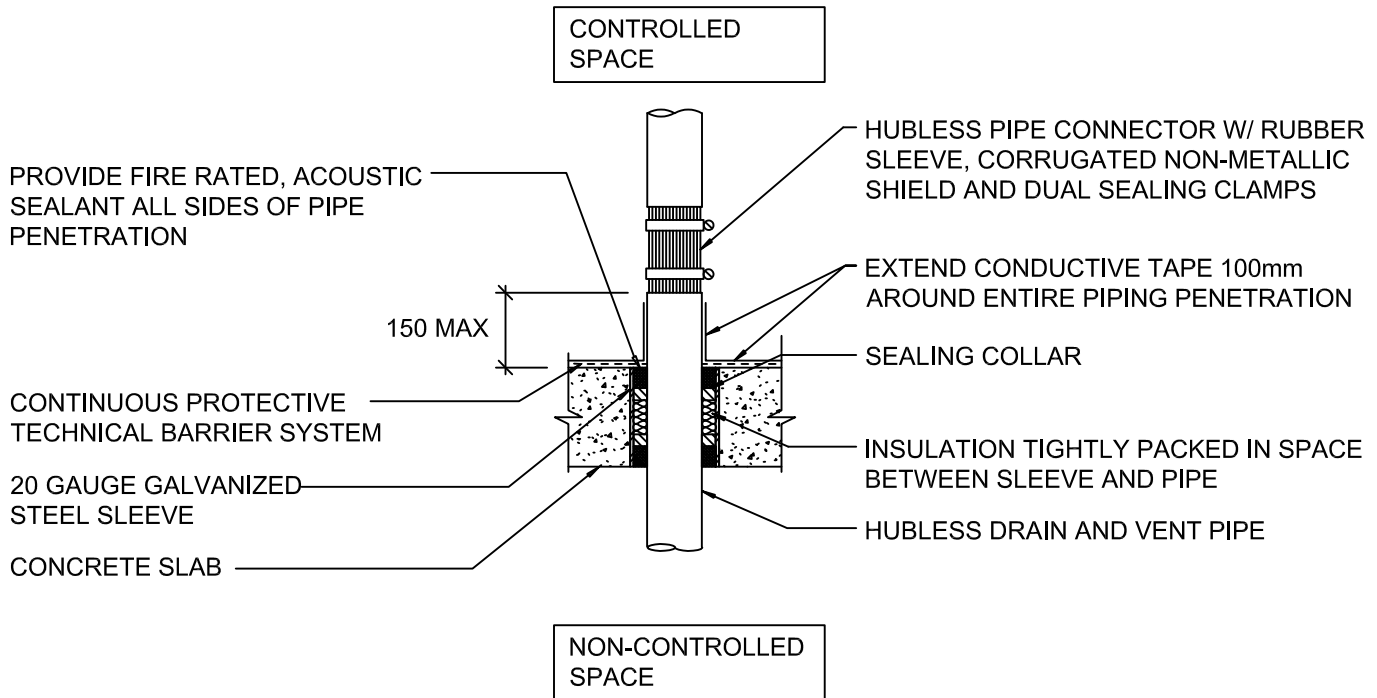
SKETCH NO.

SK-014

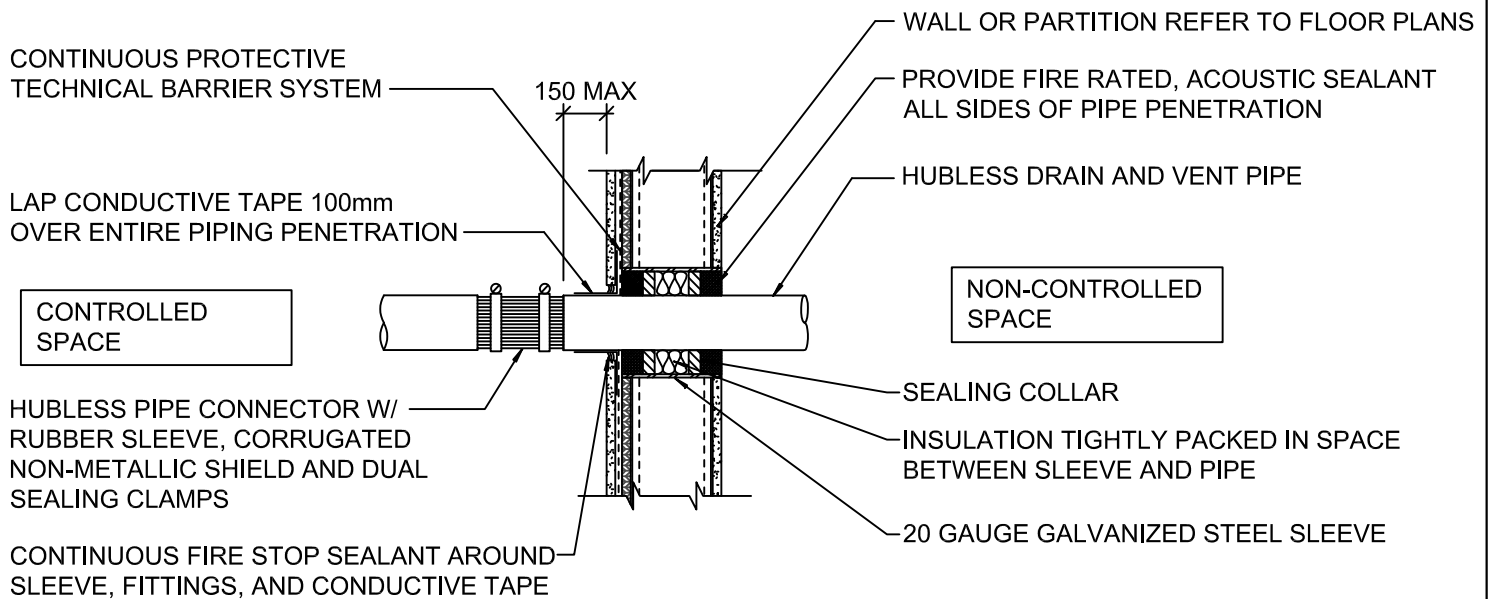
PAGE

14

OF 16



PTB VERTICAL GRAVITY PIPE PENETRATION



PTB HORIZONTAL GRAVITY PIPE PENETRATION

DRAWING TITLE

Electrical Service Penetration

DATE

11/17/2025

PROJECT NO.

-

SCALE

N.T.S.

SKETCH NO.

SK-015

PAGE

15

OF 16

REFER TO PARTITION TYPES

DASHED LINE INDICATES CONTINUOUS FLEXIBLE METALIZED SHEET

LAP 100mm WIDE CONDUCTIVE TAPE OVER FLEXIBLE METALIZED SHEET AT FULL PERIMETER OF DUCT PENETRATION

CONTINUE FLEXIBLE METALIZED SHEET TO THE WAVEGUIDE AT FULL PERIMETER OF DUCT, EXCEPT FOR OVER THE ACCESS DOOR. SECURE EDGES W/ 75mm CONDUCTIVE TAPE, AND LAP CONDUCTIVE TAPE ONTO ACCESS DOOR FRAME.

PROVIDE ACOUSTICAL SEALANT AROUND FULL PERIMETER OF OPENING

BOXED HEADER

SECURITY BARS W/ SLEEVE AND ANGLE FRAME MOUNTING

CONTROLLED SPACE

NON-CONTROLLED SPACE

NON-CONDUCTIVE FLEXIBLE CONNECTION

WAVEGUIDE VENTILATION PANEL RATED FOR 60 DECIBLES

900 MAX.

COORDINATE PLACEMENT W/ ACCESS DOOR SIZE

DUCT

FASTEN DUCT TO SLEEVE W/ "S" SLIP ON TOP AND BOTTOM AND DRIVE SLIP ON SIDES

ACCESS DOOR #2: PROVIDE THIS INSULATED DOOR ONLY ON DUCT WHERE THIS LOCATION IS UPSTREAM OF THE WAVEGUIDE (WHERE AIRFLOW IS FROM CONTROLLED TO NON-CONTROLLED SPACE). SIZE AS NOTED ON ACCESS DOOR #1.

DOUBLE WALL ACOUSTIC DUCT W/ 50mm INSULATION FOR AT LEAST 1800mm WITHIN THE CONTROLLED SPACE OR AS INDICATED ON MECHANICAL PLANS

ACCESS DOOR #1: INSULATED ACCESS DOOR W/ RF GASKETS ON BOTTOM OF DUCT
- FOR DUCTS UP TO 500mm WIDE, PROVIDE 300mm X 300mm DOOR
- FOR DUCTS 550mm TO 650mm WIDE, PROVIDE 450mm X 450mm DOOR
- FOR DUCTS OVER 700mm WIDE, PROVIDE 600mm X 600mm DOOR
REFER TO MECHANICAL FOR DUCT SIZES.

DRAWING TITLE

Air Duct Penetration

DATE

11/17/2025

PROJECT NO.

-

SCALE

N.T.S.

SKETCH NO.

SK-016

PAGE

16

OF 16